


---

# Road planing picks

---

**elementsix**<sup>TM</sup>

DE BEERS GROUP



A wide range of high-quality road planing picks and accessories that go further, faster, for longer. When it comes to competitive advantage, we help you plane more road for less



# High performing road products

Made in Germany

**Element Six** is one of the world's leading producers of road planing picks for use in road maintenance.

Our range of high-quality tools, made in Germany, offers unparalleled performance, and high wear and impact resistance for the cold planing of asphalt or concrete.

## Contents

MasterGrade™ road picks	3-5
T-Series road picks	6-7
HD™ Series road picks	8-9
MasterGrade™ picks for eco cutter drums and cold recycling	10
Soil stabilisation picks	11
Accessories	12
Scraper for milling machines	13

## MasterGrade™ outperforms standard picks by up to 50%

- MasterGrade™ road picks use Element Six's proprietary "Nano" technology to enhance the cobalt binder matrix;
- resulting in a versatile pick with greater wear resistance, extending tool life expectancy by up to 50%;
- by cutting time-consuming pick changes, you will see a greater return on manpower and machine assets, increasing productivity and reducing operating costs.

**"Element Six goes above and beyond, and we have yet to find a bit that matches E6 MasterGrade™ in quality"**

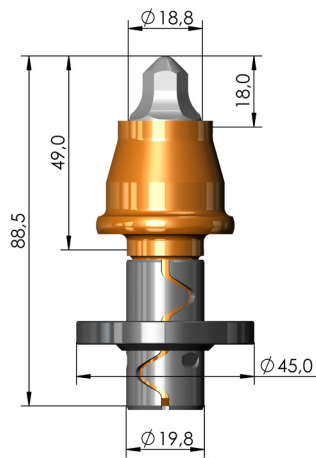
Tom Schmidt, Vice President,  
ANRAK Corporation



**"We're always looking for ways to improve our service & stand out against our competitors. E6's MasterGrade™ bits have done that for us"**

Toby Smith, Operations Manager,  
Colorado Milling

# MasterGrade™ road picks

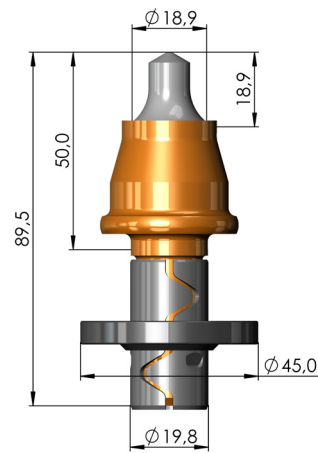


## RM3-M9

part-no. 11032199

## RM3-MN9

with extractor groove  
part-no. 11032181



## RM3-M6 XL

part-no. 11032502

## RM3-MN6 XL

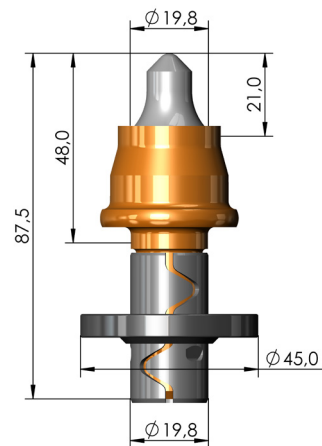
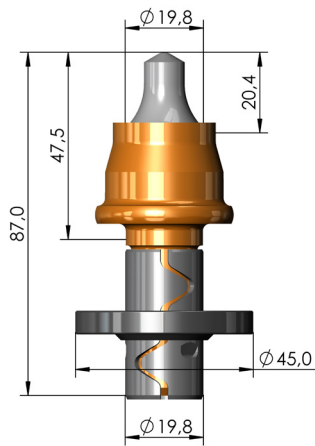
with extractor groove  
part-no. 11032503

Pick for multi-purpose applications on medium to high powered machines.

Pick for multi-purpose applications on medium to high powered machines.



All dimensions in mm.  
Standard packaging size: 50 pcs. per bucket  
/ 3,000 pcs. per pallet.



**RM3-M8**

part-no. 11032183

**RM3-MN8**

with extractor groove  
part-no. 11032198

**Price performance winner**

**RM3-M8 XL**

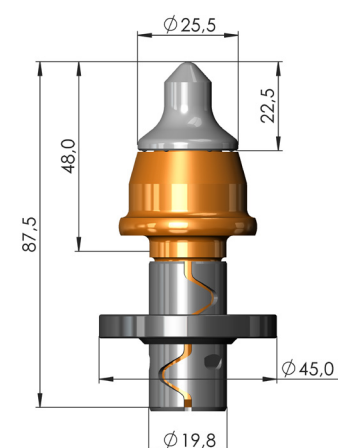
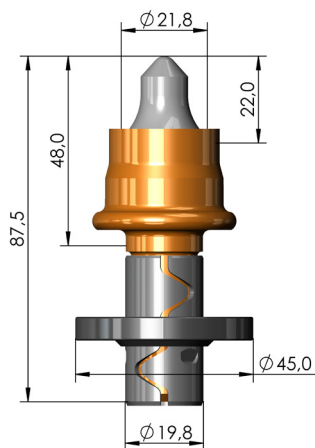
part-no. 11032182

**RM3-MN8 XL**

with extractor groove  
part-no. 11032196

For economical asphalt planing on medium and high powered machines.

Pick with optimised head design for applications on medium to high powered machines.



**RM3-M10**

part-no. 11032187

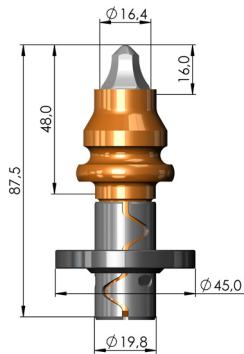
**RM3-M10 GH**

part-no. 11032592

Heavy duty pick for multi-purpose applications on high powered machines. Suitable for planing asphalt and concrete.

Pick with optimised tip, specially designed to reduce body wear in tough applications.

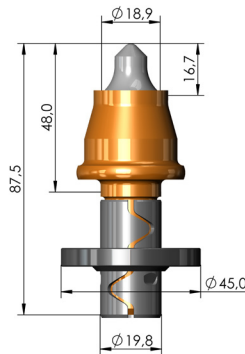
# T-Series road picks



## RM3-TN1

with extractor groove  
part-no. 11032143

For asphalt planing on small machines.



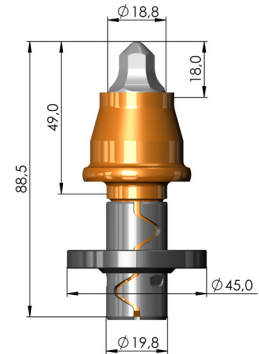
## RM3-T6

part-no. 11032330

## RM3-TN6

with extractor groove  
part-no. 11032141

For asphalt planing on small to medium sized machines.



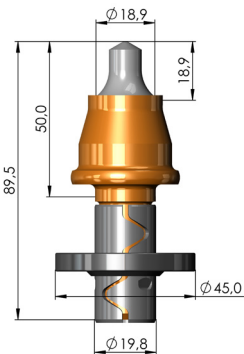
## RM3-T9

part-no. 11032133

## RM3-TN9

with extractor groove  
part-no. 11032137

Pick for multi-purpose applications on medium to high powered machines.



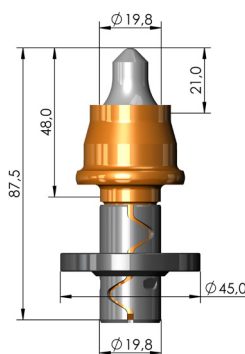
## RM3-T6 XL

part-no. 11032500

## RM3-TN6 XL

with extractor groove  
part-no. 11032501

Pick for multi-purpose applications on medium to high powered machines.



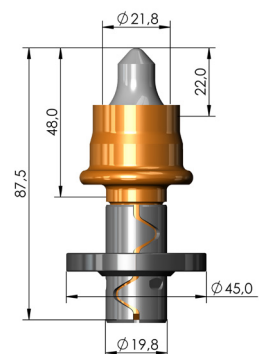
## RM3-T8 XL

part-no. 11032147

## RM3-TN8 XL

with extractor groove  
part-no. 11032152

Pick with optimised head design for applications on medium to high powered machines.



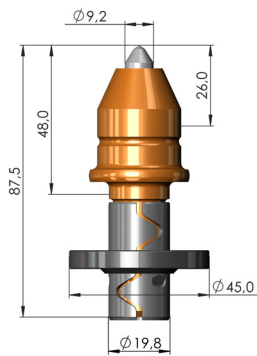
## RM3-T10

part-no. 11032146

Heavy duty pick for multi-purpose applications on high powered machines. Suitable for planing asphalt and concrete.

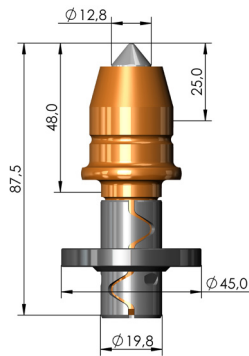
All dimensions in mm.

Standard packaging size: 50 pcs. per bucket / 3,000 pcs. per pallet.



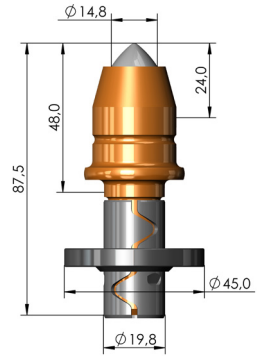
**RM3-TB9**  
part-no. 11032432

For planing concrete, suitable for small to medium sized machines.



**RM3-TB13**  
part-no. 11032304

For planing concrete, suitable for medium to large sized machines.



**RM3-TB15**  
part-no. 11032305

For planing concrete, suitable for large sized machines.

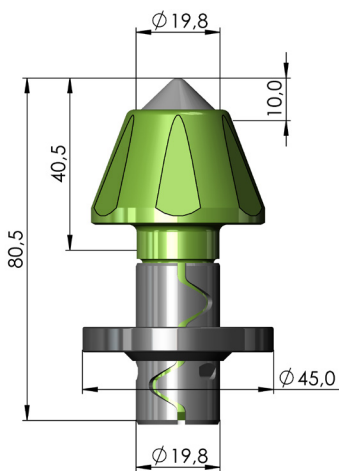


All dimensions in mm.  
Standard packaging size: 50 pcs. per bucket  
/ 3,000 pcs. per pallet.

## HD™ Series road picks

### Superior performance. Extended tool life. Improved reliability.

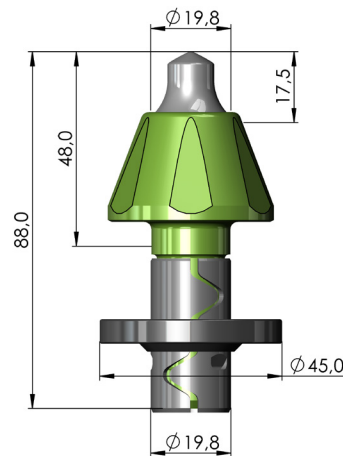
Heavy-duty tools designed for the tough, abrasive conditions of your reclaiming and milling operations. Combining our new larger body and washer disc with our premium MasterGrade™ carbide, the HD™ Series provides improved wear resistance and longer life in conditions where body wear is a key factor. With four different size carbide tips, operators can select the tool that best meets their application needs, achieving superior performance while reducing their tool costs. The HD™ Series is manufactured to the same superior quality standards you have come to expect from all Element Six products.



#### RM3: M3V-HD

part-no. 11032612

Pick for multi-purpose applications on medium to high powered machines.



#### RM3: M7V-HD

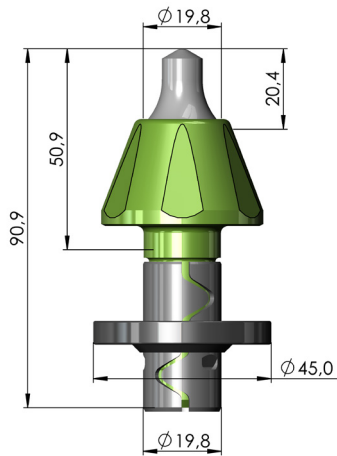
part-no. 11032611

Pick for multi-purpose applications on medium to high powered machines.



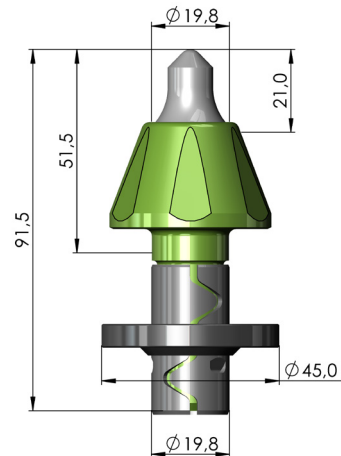
All dimensions in mm.  
Standard packaging size: 40 pcs. per bucket  
/ 2400 pcs. per pallet.





**RM3: M8V-HD**  
part-no. 11032616

For economical asphalt planing on medium and high powered machines.



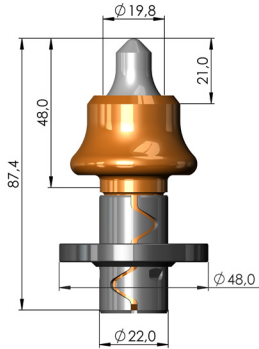
**RM3: M8 XL-HD**  
part-no. 11032613

Pick with optimised head design for applications on medium to high powered machines.



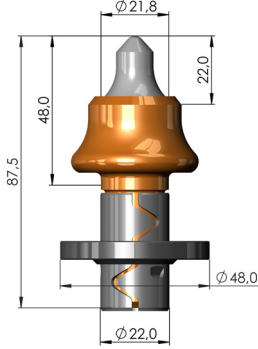
All dimensions in mm.  
Standard packaging size: 40 pcs. per bucket  
/ 2400 pcs. per pallet.

# MasterGrade™ picks for eco cutter drums and cold recycling



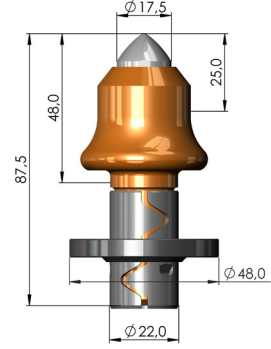
**RM3-22/BM8 XL**  
part-no. 11032540

Pick for asphalt applications.



**RM3-22/BM10**  
part-no. 11032541

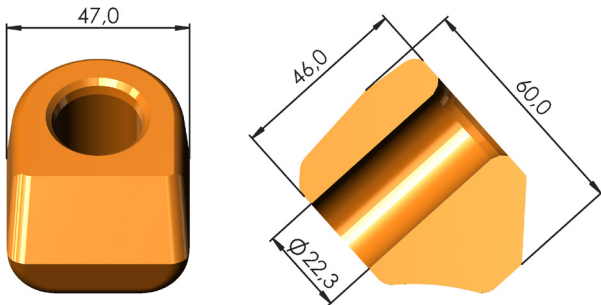
Heavy duty pick for asphalt and concrete surface layer applications.



**RM3-22/BSM18**  
part-no. 11032542

Heavy duty pick for concrete applications.

## Pick holder for soil stabilisation picks



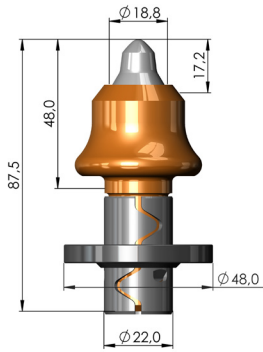
**RH3-22-T**  
part-no. 13010127



All dimensions in mm.  
Standard packaging size: 40 pcs. per bucket / 2,400 pcs. per pallet.

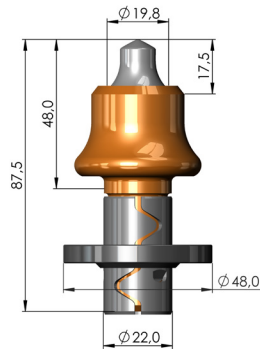
## Soil stabilisation picks

Element Six offers a range of cost-effective picks, tailored to match a variety of soil stabilising techniques. Our picks maximise the efficiency and economy of stabilisation machines. These picks can also be used on eco cutter drums for road and cold recycling applications.



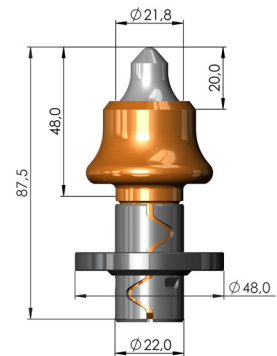
**RM3-22/B7**  
part-no. 11032538

Pick for mixed soil applications.



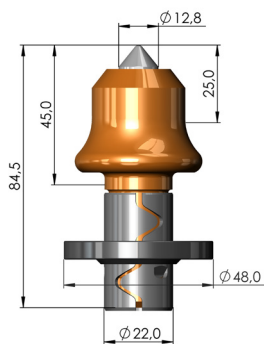
**RM3-22/B7 HD**  
part-no. 11032558

Heavy duty pick for mixed soil applications.



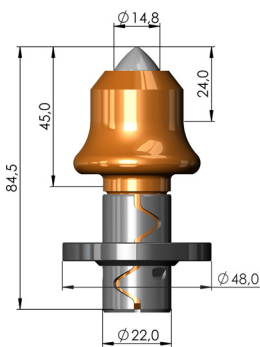
**RM3-22/B10.1**  
part-no. 11032539

Heavy duty pick for mixed soil applications.



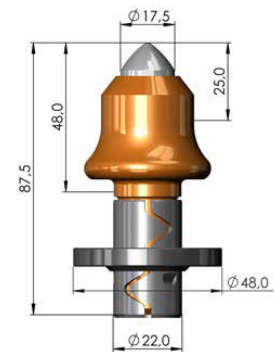
**RM3-22/BS13**  
part-no. 11032550

Pick for stony soil applications.



**RM3-22/BS15**  
part-no. 11032551

Heavy duty pick for stony soil applications.

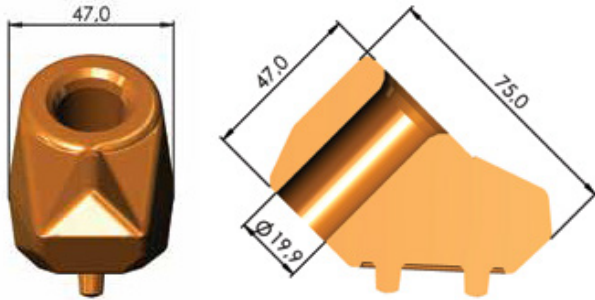


**RM3-22/BS18**  
part-no. 11032585

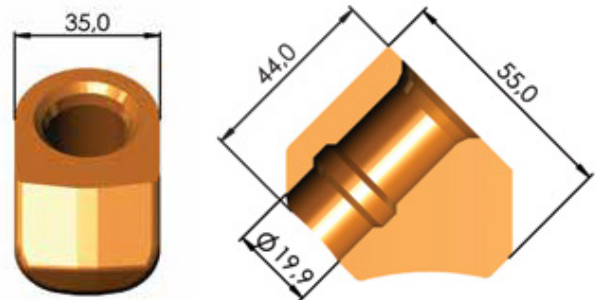
Heavy duty pick for rocky soil.

All dimensions in mm.  
Standard packaging size: 40 pcs. per bucket  
/ 2,400 pcs. per pallet.

# Accessories



**RH3-20-WK**  
part-no. 13010023



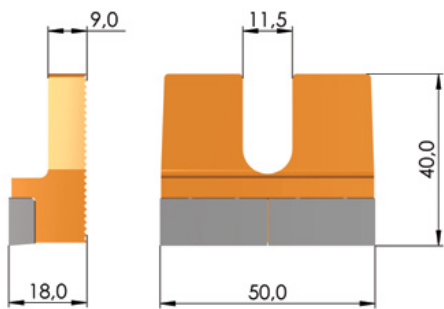
**RH3-20-W**  
part-no. 13010021



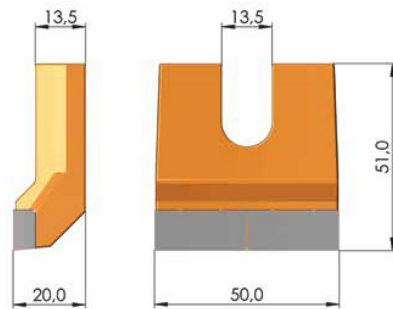
**Drifter**  
part-no. 13210017



**Extractor**  
part-no. 13210030

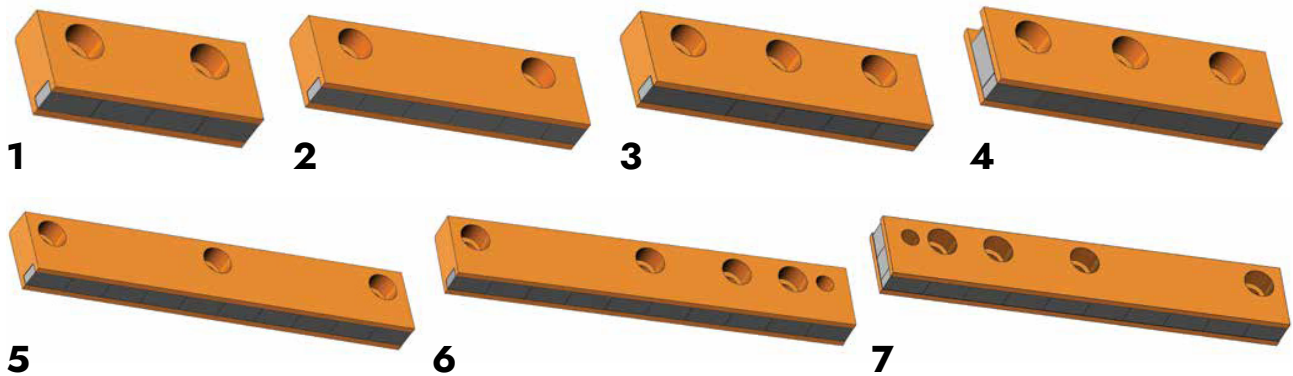


**Scraper 50x40x18**  
part-no. 14010013

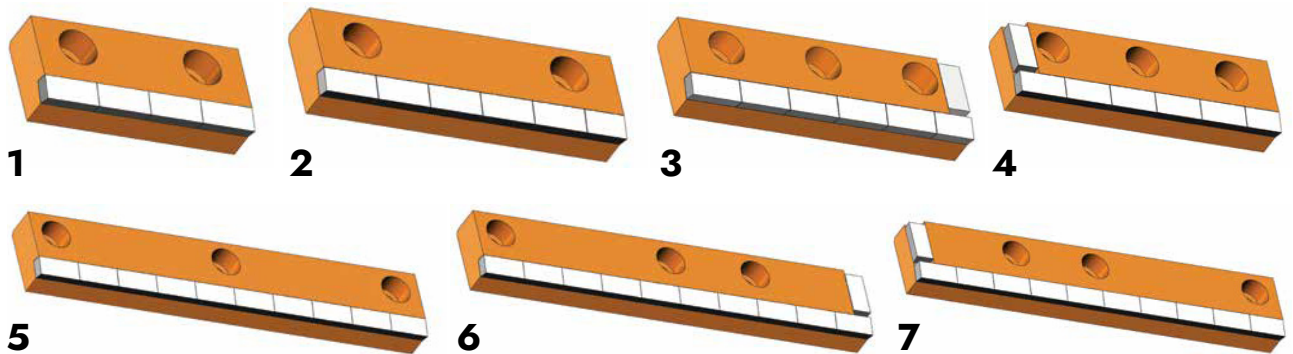


**Scraper 50x51x20**  
part-no. 14010001

## Scrapers for milling machines



Description	Type 1	L	H	T
<b>1 Carbide scraper B100</b>	14010048	100.0	40.0	20.0
<b>2 Carbide scraper B145</b>	14010049	145.0	40.0	20.0
<b>3 Carbide scraper B145L</b>	14010054	145.0	40.0	20.0
<b>4 Carbide scraper B145R</b>	14010055	145.0	40.0	20.0
<b>5 Carbide scraper B248</b>	14010044	248.0	40.0	20.0
<b>6 Carbide scraper B248L</b>	14010045	248.0	40.0	20.0
<b>7 Carbide scraper B248R</b>	14010046	248.0	40.0	20.0



Description	Type 2	L	H	T
<b>1 Carbide scraper B100</b>	14010021	100.0	40.0	20.0
<b>2 Carbide scraper B145</b>	14010028	145.0	40.0	20.0
<b>3 Carbide scraper B145L</b>	14010029	145.0	40.0	20.0
<b>4 Carbide scraper B145R</b>	14010030	145.0	40.0	20.0
<b>5 Carbide scraper B248</b>	14010018	248.0	40.0	20.0
<b>6 Carbide scraper B248L</b>	14010019	248.0	40.0	20.0
<b>7 Carbide scraper B248R</b>	14010020	248.0	40.0	20.0

All dimensions in mm.



Element Six, part of the De Beers Group of Companies, designs, develops and produces synthetic diamond and other supermaterials, and operates worldwide with manufacturing facilities in Germany, Ireland, South Africa, UK and the US.

Element Six supermaterial solutions are used in applications such as cutting, grinding, drilling, shearing and polishing, while the extreme properties of synthetic diamond beyond hardness are opening up new applications in a wide array of industries such as optics, power transmission, water treatment, semiconductors and sensors.

## Contact us

Element Six GmbH  
Städeweg 18  
36151 Burghaun  
Germany

T +49 (0) 6652 82 0  
E [hm@e6.com](mailto:hm@e6.com)

© Element Six. 2022. Images on page 3 thanks to ANRAK Corp. & Colorado Milling. Images on pages 7 & 8 thanks to Wirtgen.

[e6.com](https://www.e6.com)

